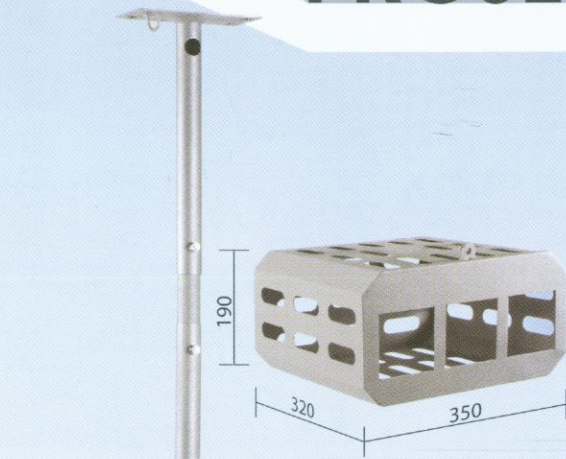


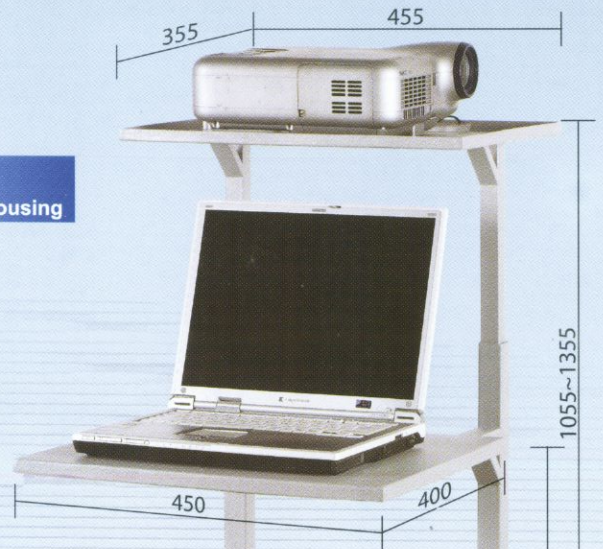
PROJECTOR SUPPORT



CP516
Projector anti-theft housing



CP515
Projector anti-theft housing



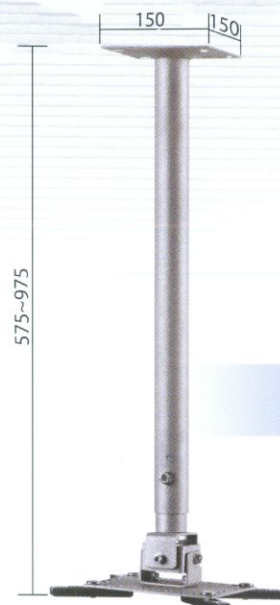
CP-613
Presentation station

- Height adjustable
- Multiple shelves to hold all of your presentation
- Suited for seated or standing use



CP-502
Projector ceiling support

- Height adjustable
- Tilt & roll function
- Anti-theft system
- Cable management hole
- Universal mounting plate



CP-505
Projector ceiling support

- Height adjustable
- Tilt & roll function
- Universal mounting plate